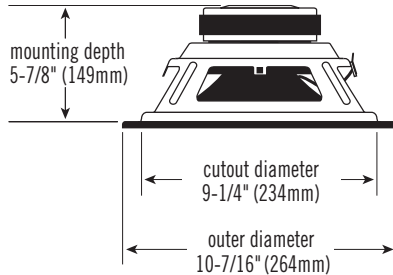


Infinity *Reference 1060w 10" Woofer – Technical Data*

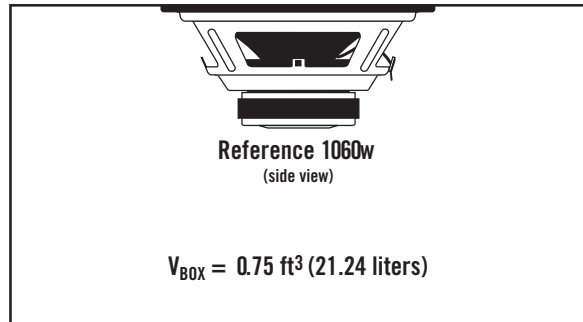
SPECIFICATIONS

DIAMETER:	10" (250MM)
SENSITIVITY (2.83V @ 1M):	91dB
POWER HANDLING:	275W _{RMS} (1100W _{PEAK})
FREQUENCY RESPONSE:	25Hz ~ 400Hz
NOMINAL IMPEDANCE:	4 OHMS
VOICE COIL DIAMETER:	2.0" (51.0MM)

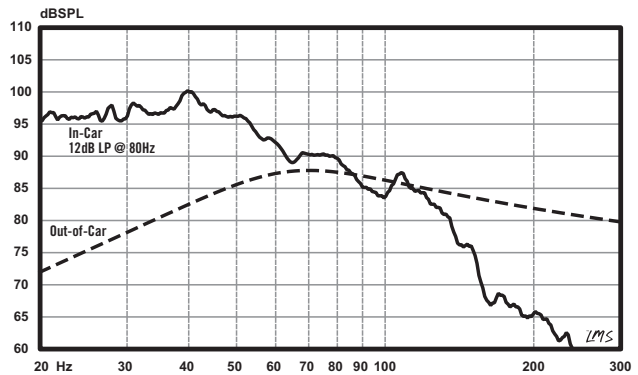
DIMENSIONS:



SEALED BOX VOLUME (INCLUDES DRIVER DISPLACEMENT)



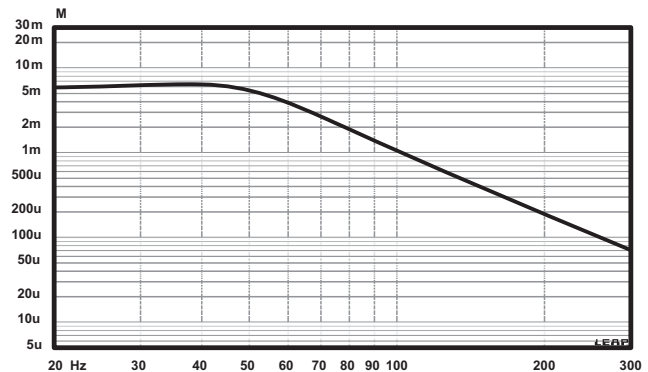
SEALED ENCLOSURE FREQUENCY RESPONSE @ 2.83V



THIELE-SMALL PARAMETERS

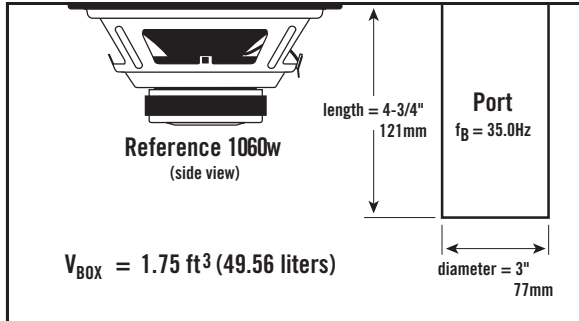
VOICE COIL DC RESISTANCE:	R_{EVC} (OHMS)	3.59
VOICE COIL INDUCTANCE @ 1kHz:	L_{EVC} (MH)	2.83
DRIVER RADIATING AREA:	S_D (IN ²)	56.265
	S_D (M ²)	363.00
MOTOR FORCE FACTOR:	BL (TM)	16.02
COMPLIANCE VOLUME:	V_{AS} (FT ³)	1.16
	V_{AS} (LITERS)	32.90
SUSPENSION COMPLIANCE:	C_{MS} (µM/N)	175.00
MOVING MASS, AIR LOAD:	M_{MS} (GRAMS)	173.00
MOVING MASS, DIAPHRAGM:	M_{MD} (GRAMS)	169.00
FREE-AIR RESONANCE:	F_S (Hz)	29.00
MECHANICAL Q:	Q_{MS}	7.59
ELECTRICAL Q:	Q_{ES}	0.44
TOTAL Q:	Q_{TS}	0.42
MAGNETIC-GAP HEIGHT:	H_{AG} (IN)	0.314
	H_{AG} (MM)	8.00
VOICE COIL HEIGHT:	H_{VC} (IN)	1.34
	H_{VC} (MM)	34
MAXIMUM EXCURSION:	X_{MAX} (IN)	0.512
	X_{MAX} (MM)	13.00

SEALED ENCLOSURE CONE EXCURSION @ 275W

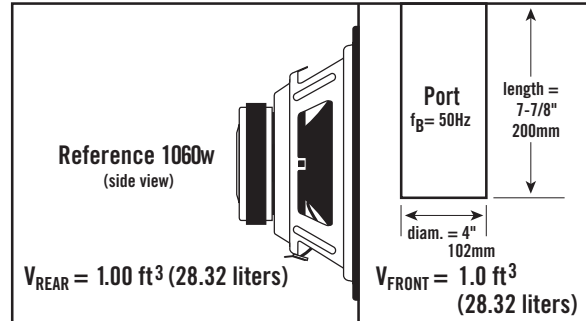


Infinity Reference 1060w 10" Woofer – Technical Data

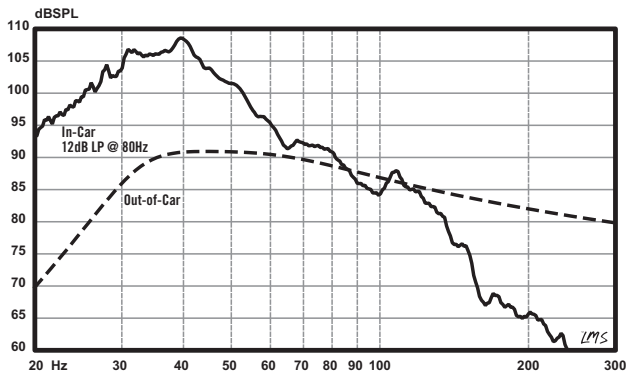
VENTED BOX VOLUME (INCLUDES DRIVER/PORT DISPLACEMENTS)



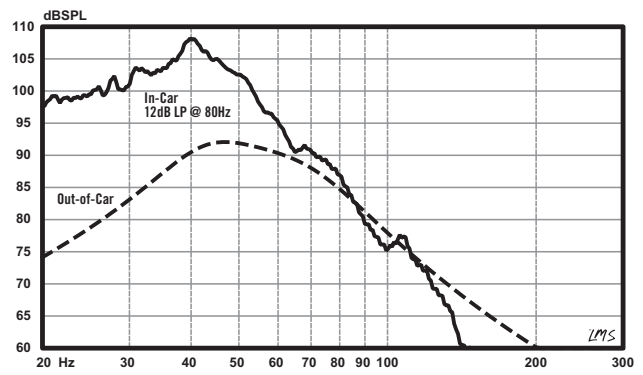
BAND-PASS BOX VOLUME (INCLUDES DRIVER/PORT DISPLACEMENTS)



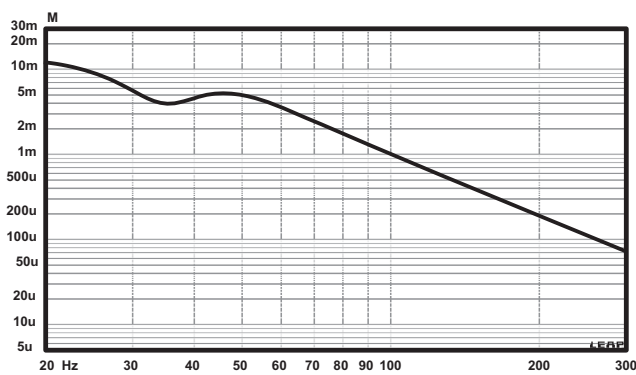
VENTED ENCLOSURE FREQUENCY RESPONSE @ 2.83V



BAND-PASS ENCLOSURE FREQUENCY RESPONSE @ 2.83V



VENTED ENCLOSURE CONE EXCURSION @ 275W



BAND-PASS ENCLOSURE CONE EXCURSION @ 275W

